

COMBi-CS

Counter-balanced Stacker

Equipped with our patented multi-position tiller arm the Combi-CS offers safer operation, maximum operator visibility and narrow aisle performance.

COMBiLiFT

LIFTING INNOVATION



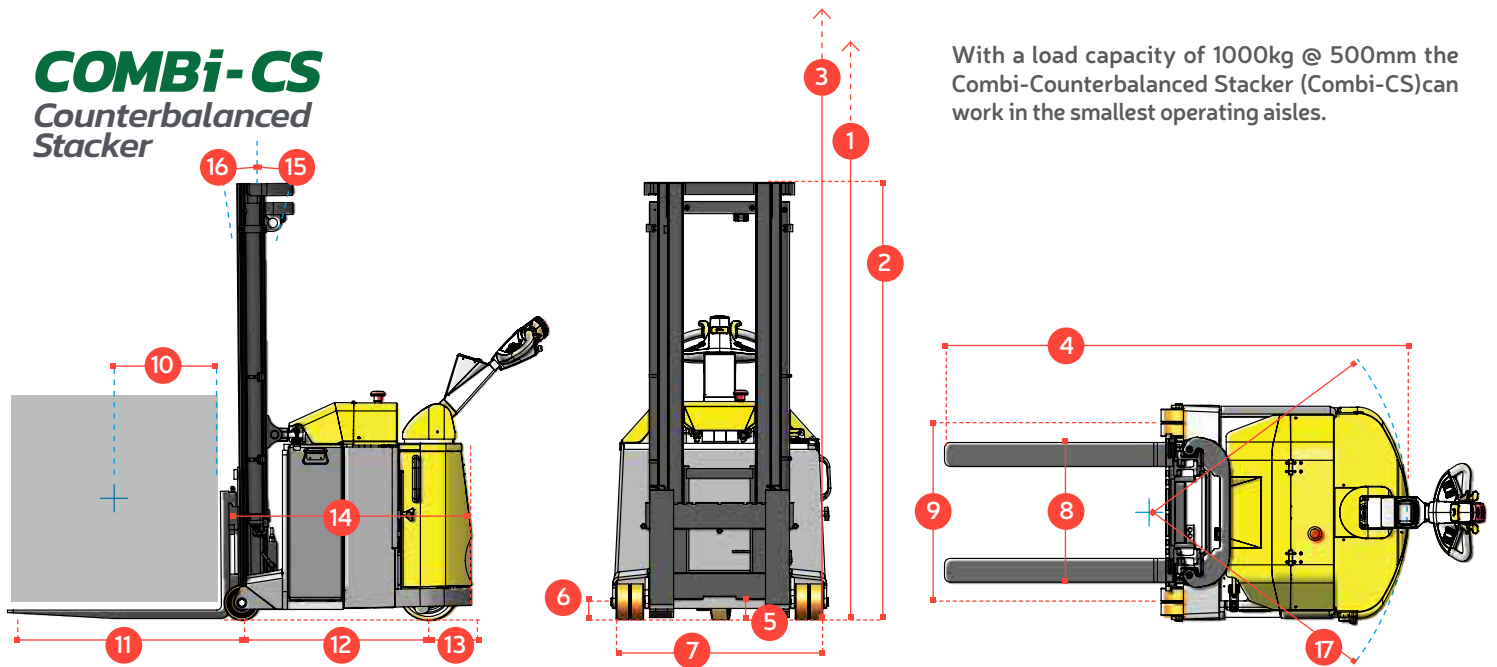
Patented Multi-Position
Tiller Arm



combilift.com

COMBI-CS

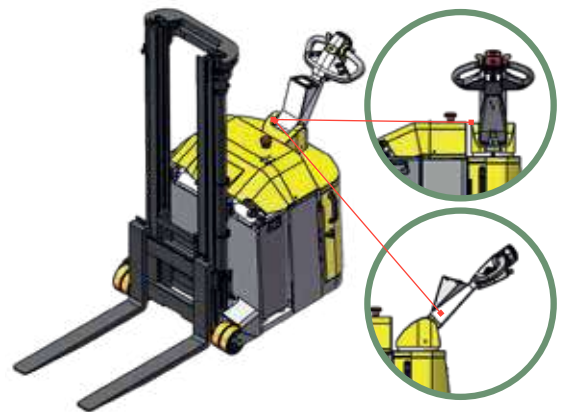
Counterbalanced Stacker



REF.	DESCRIPTION	Standard	Option	
1	Max. Lift Height		2500 mm	
2	Height Mast Closed		1875 mm	
3	Max. (Mast raised)		3150 mm	
4	Overall Length	2000 mm	2150 mm	2300 mm
5	Ground Clearance Under Mast		80 mm	
6	Ground Clearance to Centre of Wheelbase		50 mm	
7	Width		890 mm	
8	Outside Spread of Fork Arms		620 mm	
9	Track Front		745 mm	
10	Load Centre Distance		500 mm	
11	Overhang Front		1035 mm	
12	Wheelbase	790 mm	940 mm	1090 mm
13	Overhang Back		175 mm	
14	Length From Face of Fork	1050 mm	1200 mm	1350 mm
15	Fork Backward Tilt		5°	
16	Fork Forward Tilt		2°	
17	Minimum Outside Radius	965 mm	1115 mm	1265 mm
A	Capacity	1000 kg	1250 kg	1500 kg
B	Unladen Weight	2300 kg	2350 kg	2400 kg
C	Maximum Ground Speed		6 km/h	
D	Gradeability		5%	
E	Battery Capacity		24 V / 375 Ah	
F	Fork Section		35 mm x 100 mm x 950 mm	
G	Front Tyre (Polyurethane)		OD 150 mm / Width 55 mm	
H	Rear Tyre (Vulkollan)		OD 250 mm / Width 75 mm	
I	Standard Colour		Yellow & Grey	
J	AC Electric Traction Motor		24 V / 2.5 kW	
K	AC Electric Pump Motor		24 V / 5 kW	

Superior safety with Combilift's patented Multi-Position Tiller Arm

The tiller can be turned to the left or right to allow the operator to remain at the side. This enables full visibility of the load and forks, while maintaining full steering control, providing greater awareness of the surroundings for enhanced overall safety.

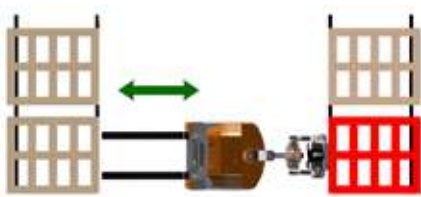


Features Include:

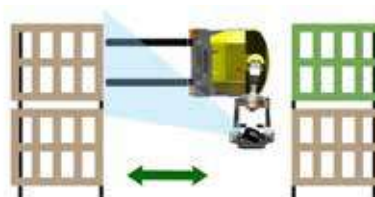
- Power Steering
- AC Motor Technology
- Rear Wheel Drive
- Patented Multi-Position Tiller Arm

Distributed by:

Without Combi-CS



Using Combi-CS



Standing to the side of the stacker eliminates the risk of being trapped or crushed while allowing the Combi-CS to operate in very narrow aisles.

International Application No. PCT/EP2012/067238

COMBILIFT HAS A POLICY OF CONTINUOUS PRODUCT DEVELOPMENT AND RESERVES THE RIGHT TO ALTER SPECIFICATIONS WITHOUT PRIOR NOTICE. SPECIFICATIONS AND/OR DIMENSIONS MAY VARY FROM THOSE ILLUSTRATED IN SOME COUNTRIES.